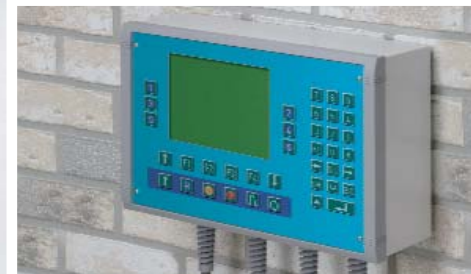


Datamet



Datamet Wall Mount Enclosures

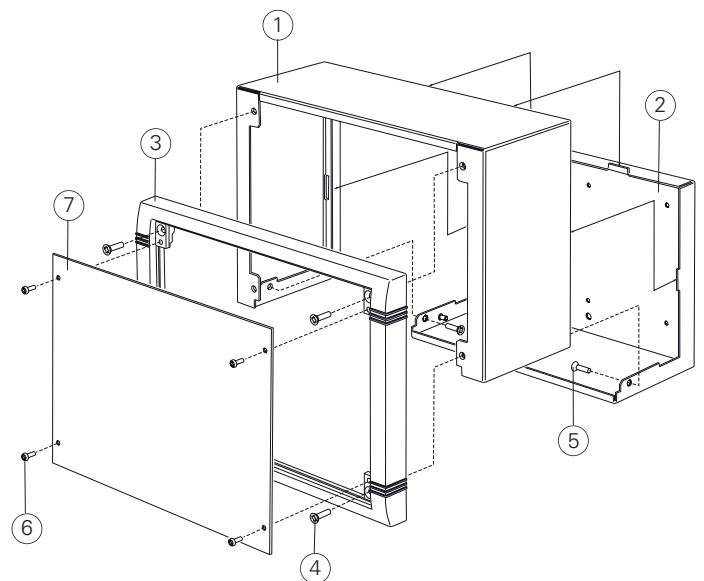
Modern aluminium enclosures designed for indoor applications. Provide total access to the electronics during installation on the wall. Stylish design with die cast front bezel, top cover and 'L' shape rear panel. Front panels and internal mounting plates ordered separately.

Datamet Wandgehäuse

Moderne Aluminium-Gehäuse für Innenanwendungen. Elektronik während der Wandinstallation frei zugänglich. Elegantes Design mit Zink-Druckguss Frontrahmen, Haube und Rückplatte in L-Form. Front- und Montageplatten als Zubehör.

Boîtiers Muraux Datamet

Des boîtiers en aluminium modernes pour des applications d'intérieur. Accès à l'électronique sans barrière pendant l'installation au mur. Design élégant avec bandeaux frontaux, partie supérieure et panneau arrière en forme L moulés sous pression. Panneaux frontaux et plaques internes à commander séparément.



Supply

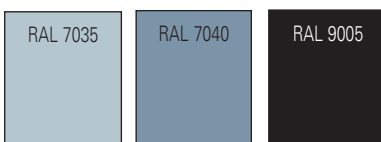
- ① Top cover
- ② Rear panel
- ③ Front bezel
- ④ M4 x 16 mm (x4)
- ⑤ M4 x 6 mm (x2)
- ⑥ M3 x 8 mm (x4)
- ⑦ *Front panel
- * Accessories

Lieferumfang

- Oberteil
- Rückplatte
- Frontrahmen
- M4 x 16 mm (x4)
- M4 x 6 mm (x2)
- M3 x 8 mm (x4)
- * Frontplatten
- * Zubehör

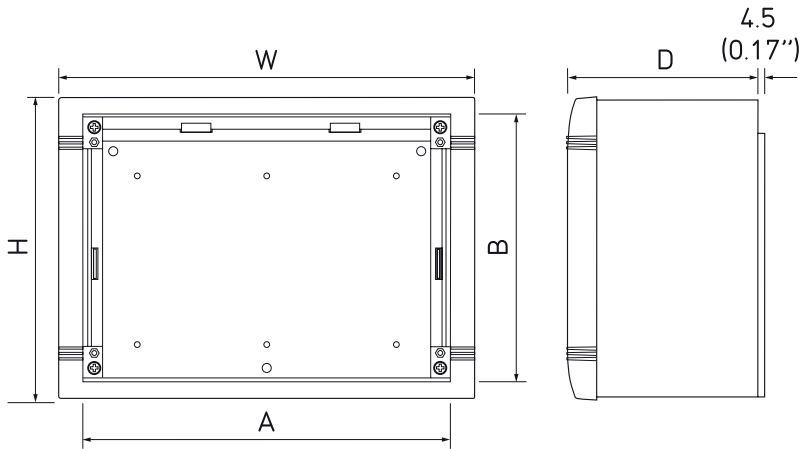
Fourniture

- Partie supérieure
- Plaque arrière
- Cadre frontal
- M4 x 16 mm (x4)
- M4 x 6 mm (x2)
- M3 x 8 mm (x4)
- * Plaque avant
- * Accessoires



Standard colours
Standardfarben
Coloris standard

Datamet



Version S



Version M

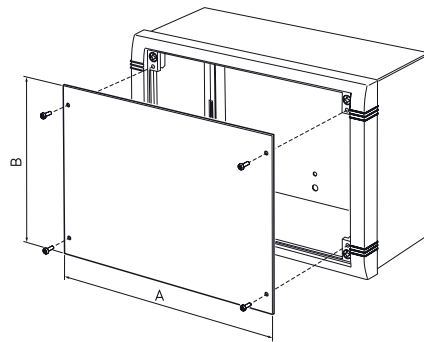


Version L

Part No.	Version	Colours	W	H	D	A	B
Bestell-Nr./Réf.		Farben/Coloris				Front Panel	Front Panel
M 58 25 105	S	●● RAL 7035/40	250 (9.84")	180 (7.08")	116.5 (4.58")	220 (8.66")	159.5 (6.28")
M 58 25 109	S	● RAL 9005	250 (9.84")	180 (7.08")	116.5 (4.58")	220 (8.66")	159.5 (6.28")
M 58 35 105	M	●● RAL 7035/40	350 (13.78")	250 (9.84")	116.5 (4.58")	320 (12.59")	229.5 (9.03")
M 58 35 109	M	● RAL 9005	350 (13.78")	250 (9.84")	116.5 (4.58")	320 (12.59")	229.5 (9.03")
M 58 40 105	L	●● RAL 7035/40	400 (15.74")	300 (11.81")	116.5 (4.58")	370 (14.56")	279.5 (11.00")
M 58 40 109	L	● RAL 9005	400 (15.74")	300 (11.81")	116.5 (4.58")	370 (14.56")	279.5 (11.00")

Front Panel

Frontplatte
Plaque Avant

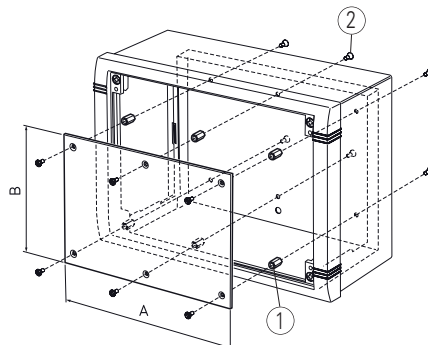


Part No.	Version	A	B
Bestell-Nr./Réf.			
M 58 00 025	S	220 (8.66")	159.5 (6.28")
M 58 00 035	M	320 (12.59")	229.5 (9.03")
M 58 00 040	L	370 (14.56")	279.5 (11.00")

Mounting Plate Kit

Montageplatten-Set
Kit De Plaque Support

Supply: Mounting plate + ①x 6 + ②x 12
Lieferumfang: Montageplatte + ①x 6 + ②x 12
Fourniture: Plaque support + ①x 6 + ②x 12



Part No.	Version	A	B
Bestell-Nr./Réf.			
M 58 04 125	S	175 (6.89")	120 (4.72")
M 58 04 135	M	275 (10.82")	190 (7.48")
M 58 04 140	L	325 (12.79")	240 (9.44")